

Product Specification

LC8822 LED Strip

LC8822X60XM12X-5V

Making	Date	Version
LED Color	2018.4.8	V1.1



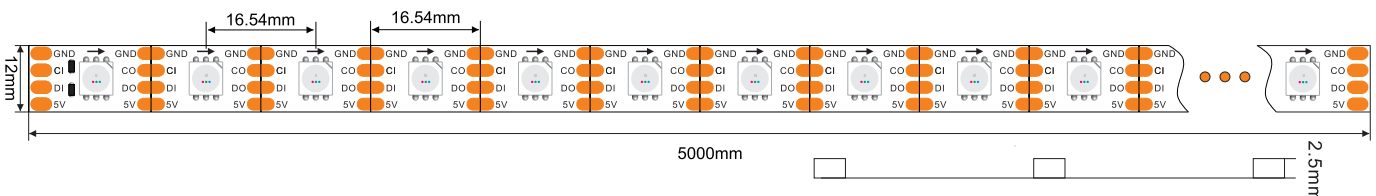
Product Description

1. Single-flow, gradient, chase, scan and other full-color effects.
2. Splicing to achieve text movement and video animation and other dynamic effects.
3. Can be bend and cut, can achieve a certain curvature and length of the modeling screen.
4. 1 LED 1 IC, individual controlled, can be made into high-density high-definition display.
5. IP rating, IP20,IP65,IP67,IP68.

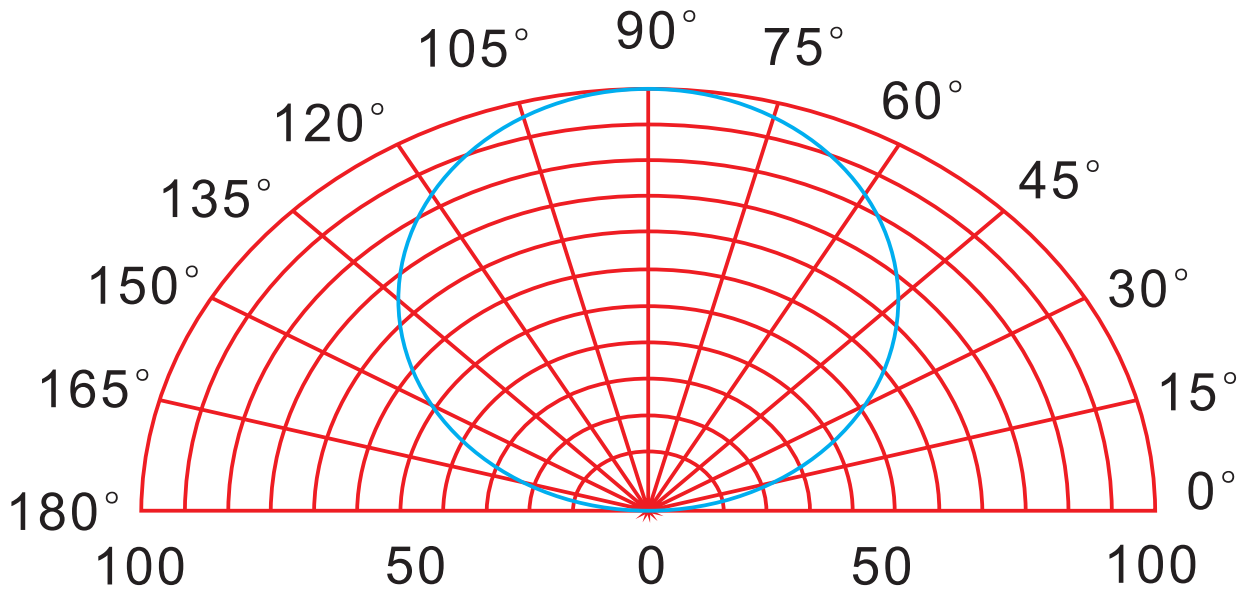
LED Strip Picture



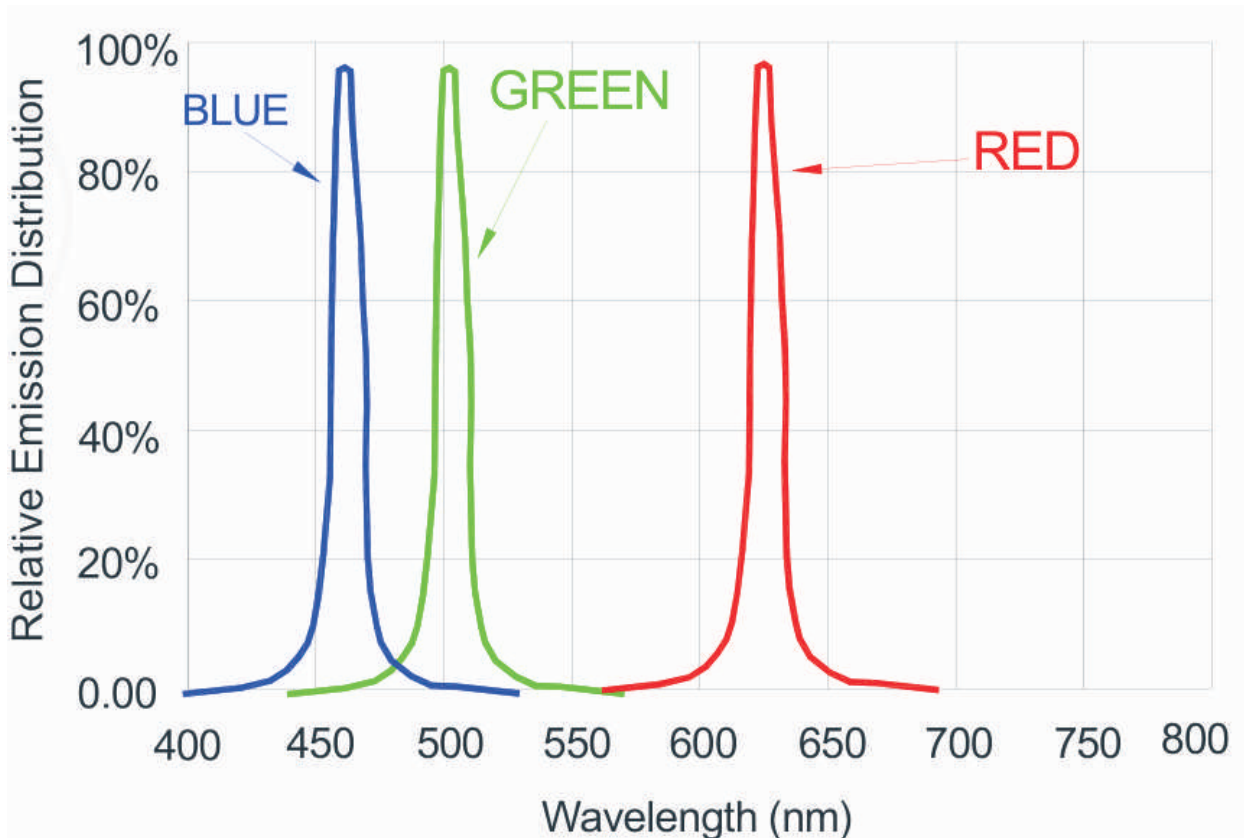
LED Strip Dimension



Radiation Diagram



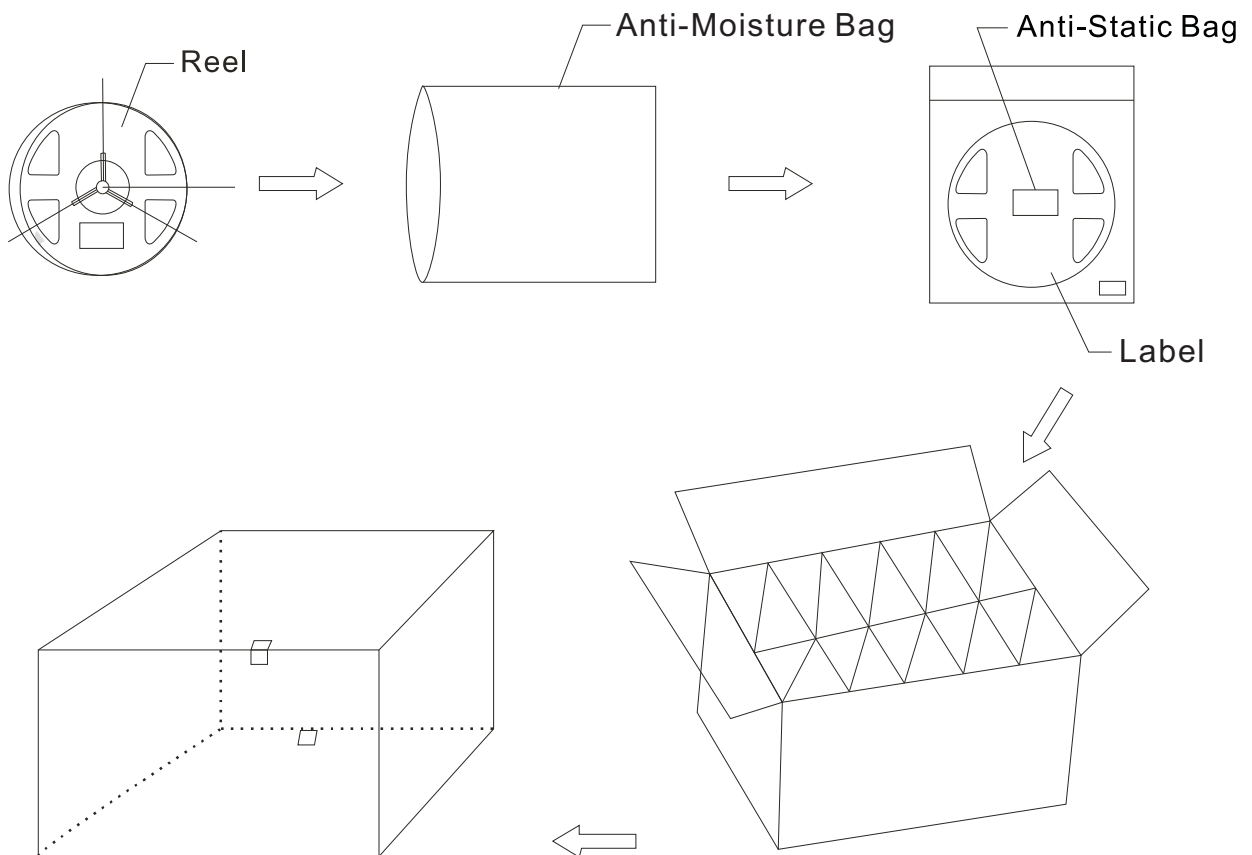
Wavelength Characteristics



LED Strip Specification

Product Model	Product Description	IP Rating	Color	Color temperature /wavelength	Lumen/LED
LC8822X60 XM12X-5V	LC8822, 60LED/M, DC5V, 18W/M, 12MM White PCB/ Black PCB, 5M/Roll	IP20	RGB	R:620-625NM	R:1.5-2.5LM
		IP65		G:520-525MM	G:5-7LM
		IP67		B:460-465NM	B:1-2LM
		IP68			

Packing



Connection Diagram

