

Product Specification

2835 CC LED Strip

LC-IC2835X60XM10W-24V
LC-IC2835X60XM15W-24V

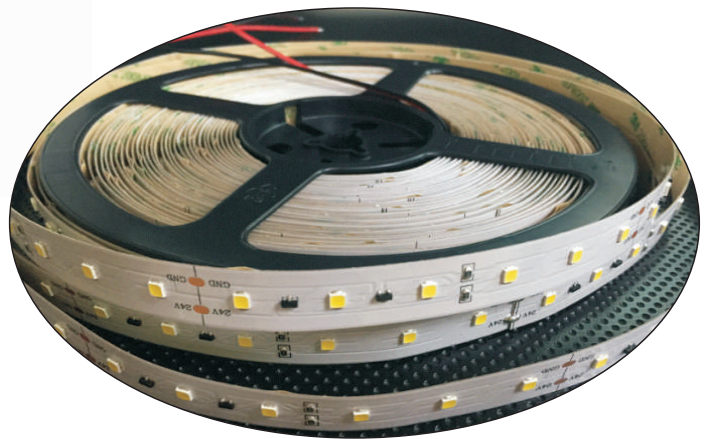
Making	Date	Version
LED Color	2018.4.8	V1.1



LED Strip Picture

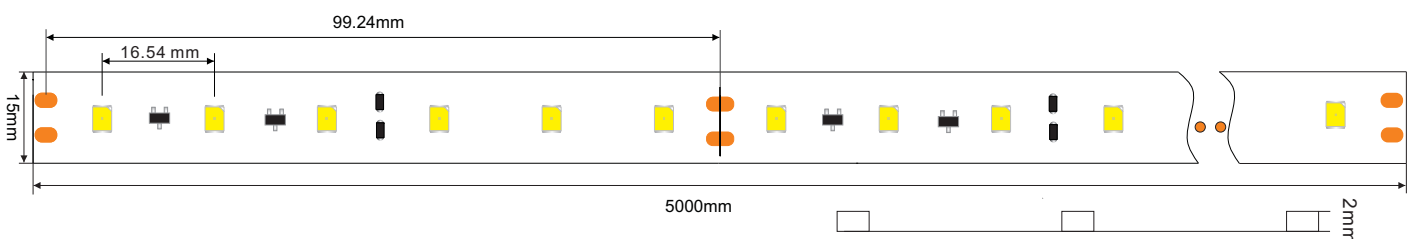
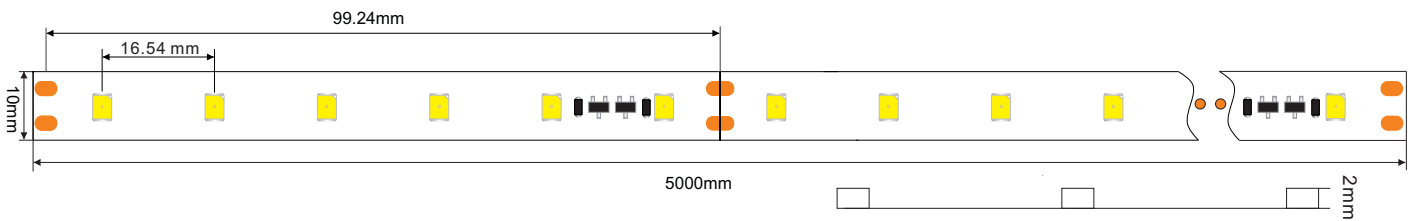


10 mm wide,2 oz

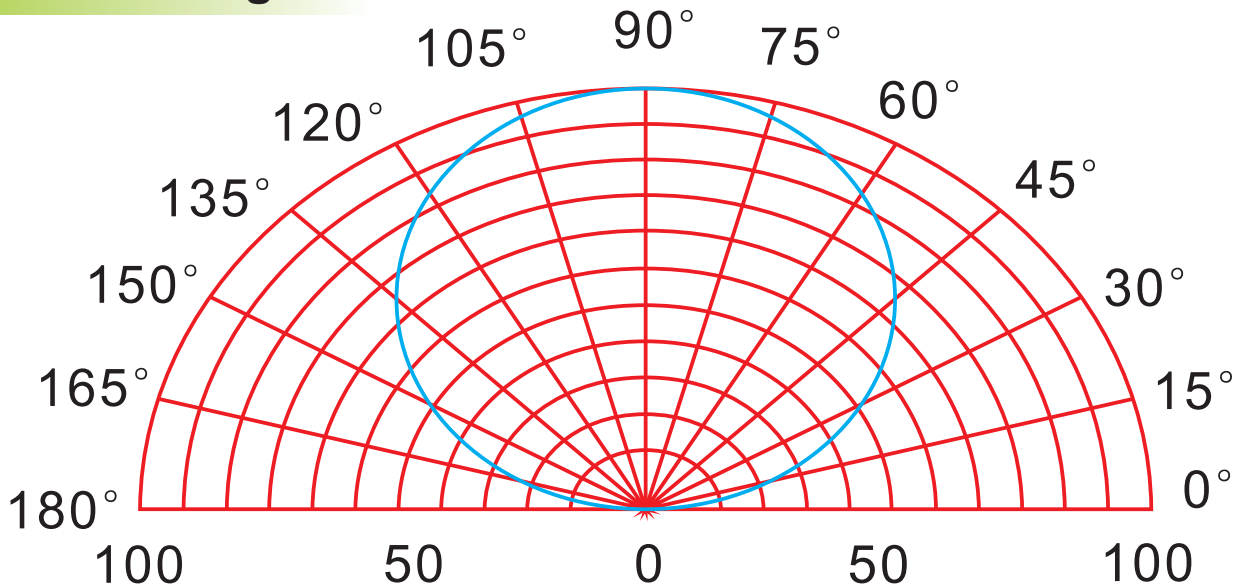


15 mm wide,4 oz

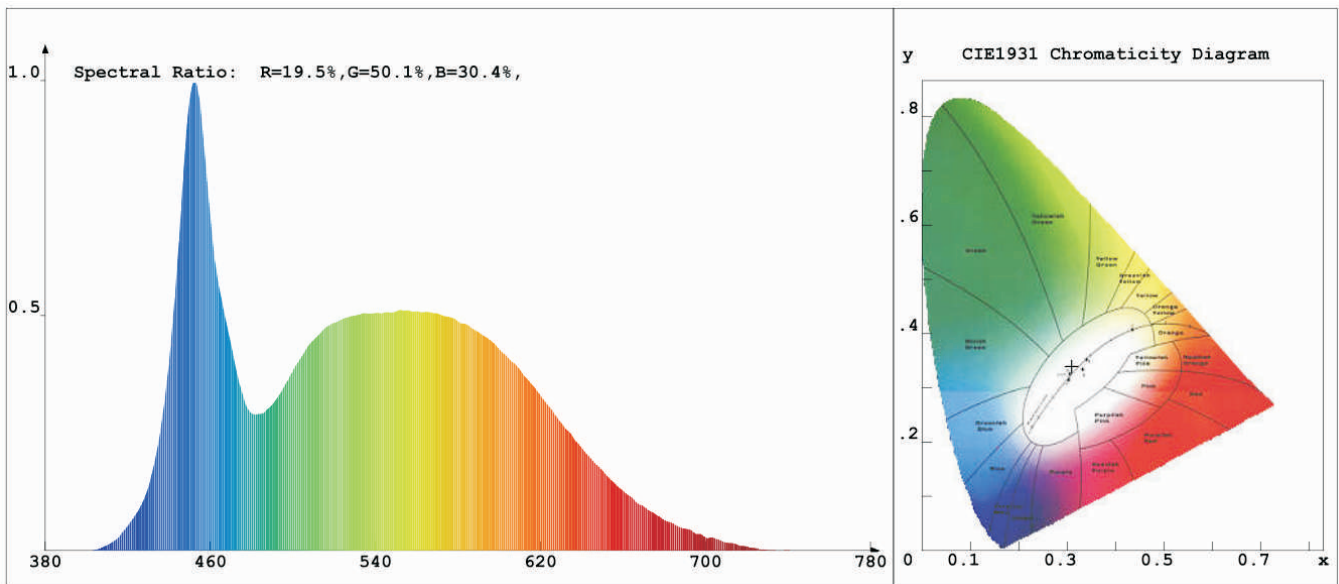
LED Strip dimension



Radiation diagram



2835 White LED Test Report



Chroma Parameters

Chro.Coor.: $x=0.3097$ $y=0.3395$ $u=0.1919$ $v=0.3156$ $duv=0.0099$
 CCT: 6583K Dominant Wave.:495.1nm Purity:7.6%
 Flux RGB Ratio:R=12.4%,G=83.5%,B=4.1% Peak Wave:452.8nm Half Width:25.1nm

Rendering Index:Ra= 80.7

R1 =77 R2 =86 R3 =93 R4 =78 R5 =79 R6 =83 R7 =87 R8 =63
 R9 =-13 R10=69 R11=77 R12=56 R13=79 R14=96 R15=70

Photo Parameters

Flux:24.76lm Effi.:131.8lm/W Radiant:75.4mW Iv:0.0mcd
 Efficiency:0.034 Effi Level:A++ (EU 874-2012)

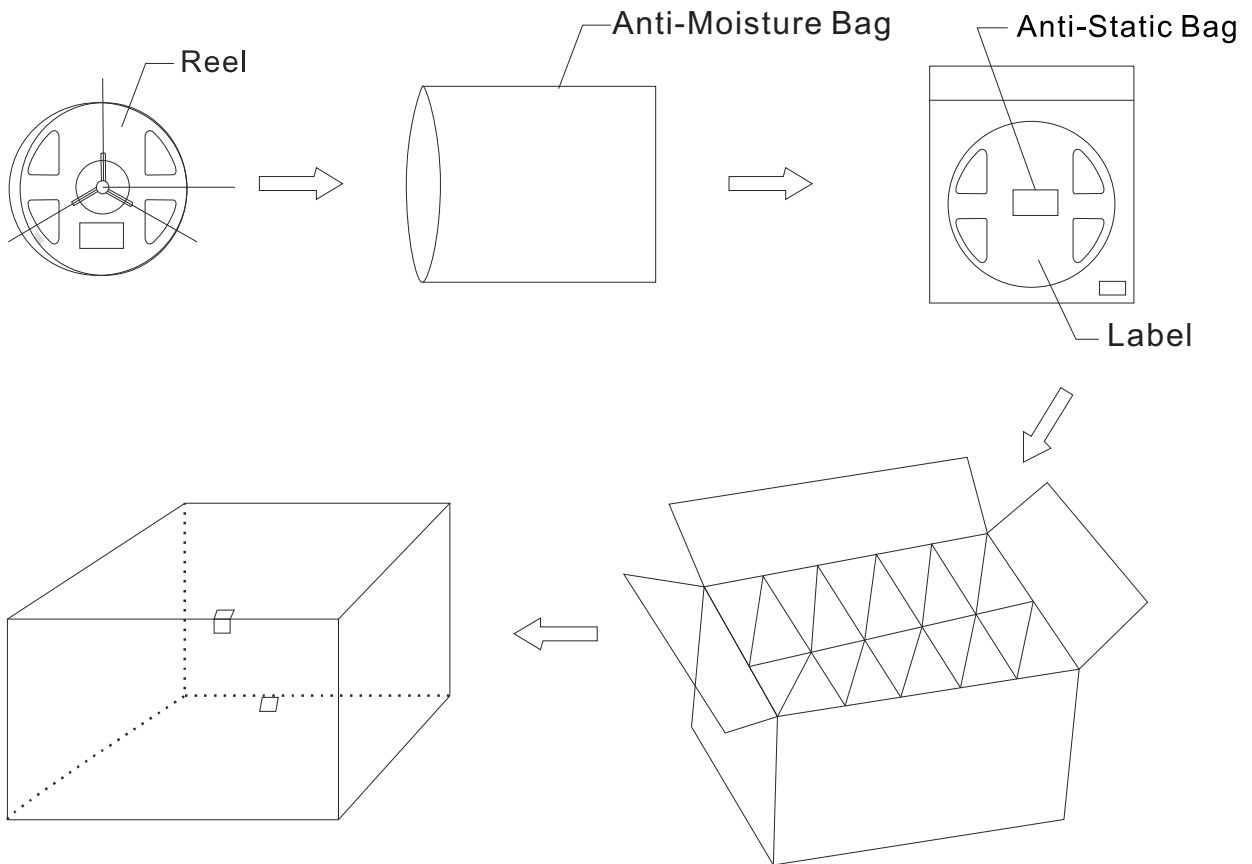
Ele. Parameters

Forward Current:If=60.0mA Forward Voltage:Vf=3.13V
 Reverse Voltage:Vr=5.00V Reverse Current:Ir=0.00uA

LED Strip Specification

Product Model	Product Description	IP Rating	Color	Color temperature /wavelength	CRI	Lumen/LED
LC-IC2835 X60XM10W -24V	SMD2835, 60LED/M, DC24V, 14.4W/M,	IP20	WW	WW:2800-3200K	>80	22-24LM
		IP65	NW	NW:4000-4500K	>90	20-22LM
LC-IC2835 X60XM15W -24V	10MM/15MM White PCB, 5M/Roll	IP67			W	W:6000-6500K
		IP68	>97	16-18LM		

Packing



Connection Diagram

