

# Product Specification

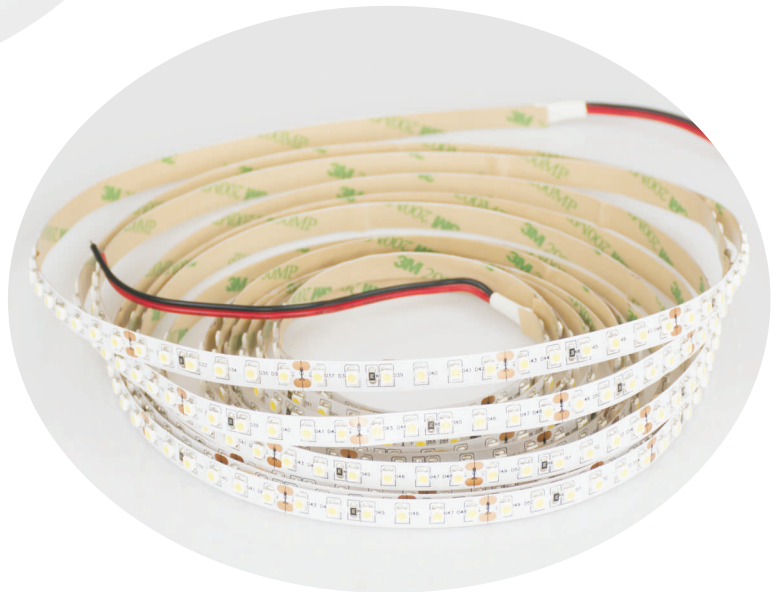
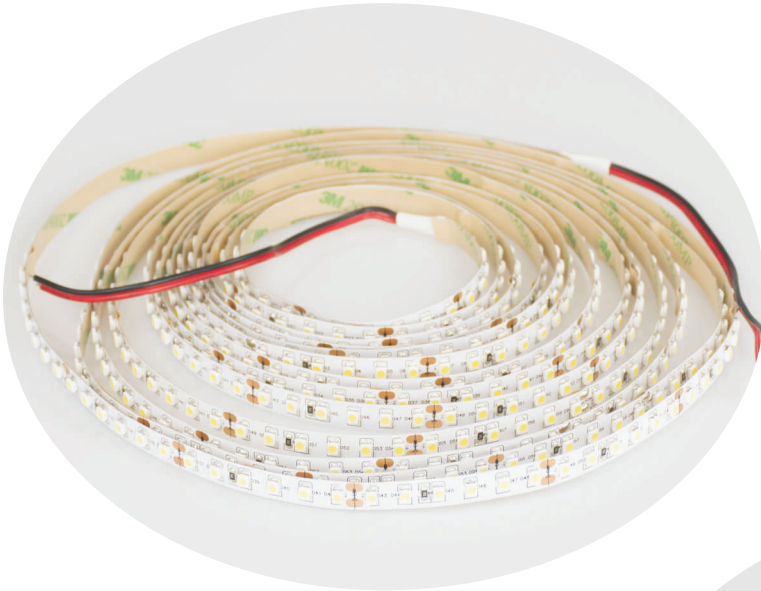
## 3528 LED Strip

**LC-3528X120XM8W-12V**  
**LC-3528X120XM8W-24V**

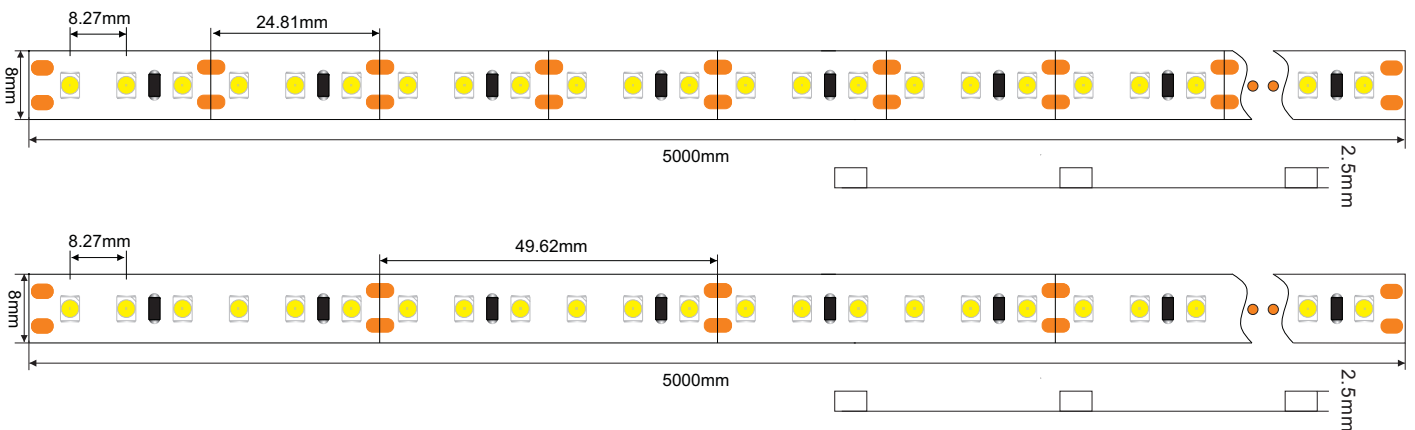
Making	Date	Version
LED Color	2018.4.8	V1.1



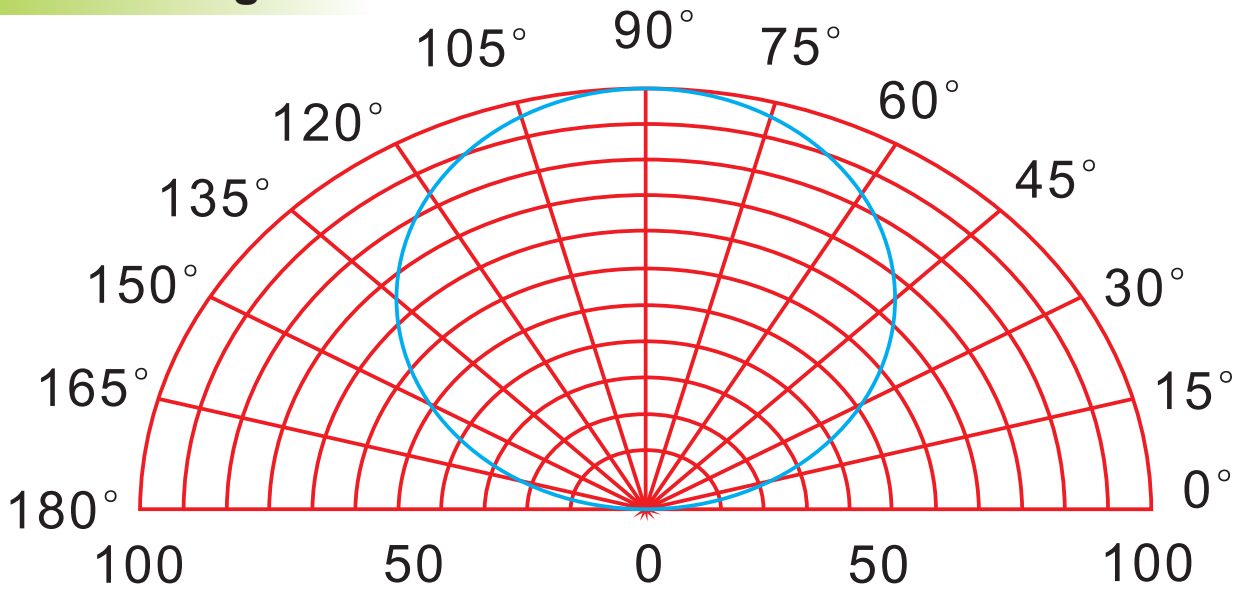
**LED Strip dimension**



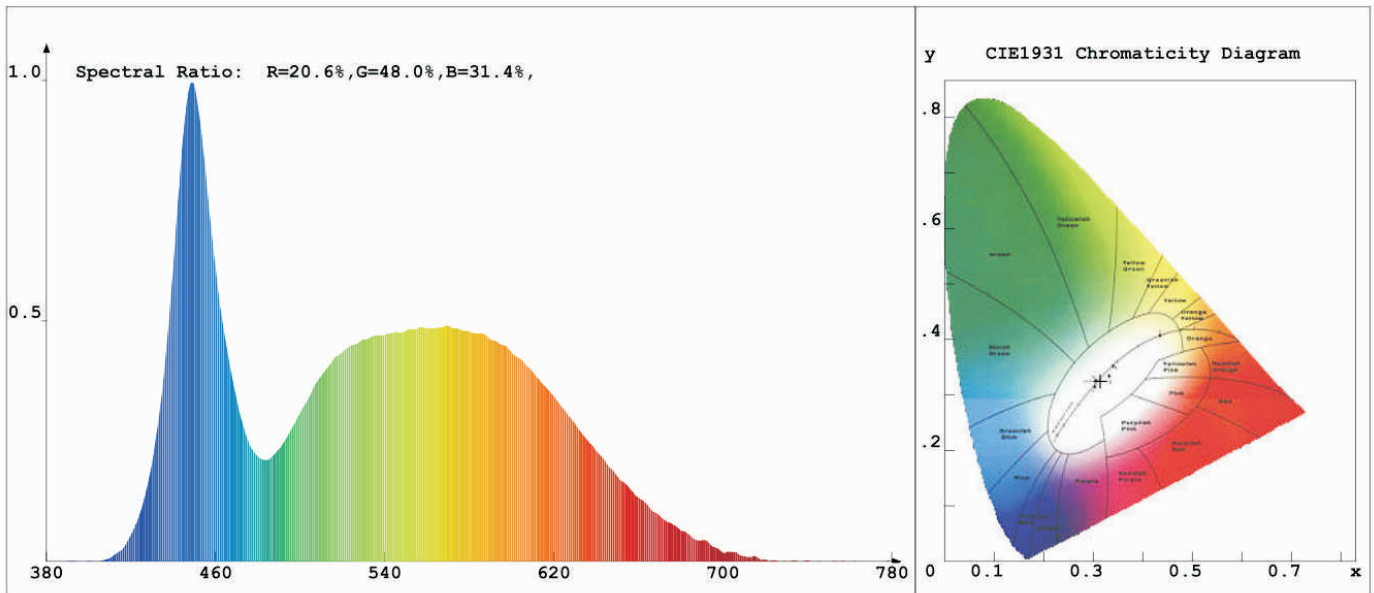
**LED Strip dimension**



**Radiation diagram**



**3528 White LED Test Report**



**Chroma Parameters**

Chro.Coor.:x=0.3141      y=0.3250      u=0.2003 v=0.3109      duv=0.0004  
 CCT: 6459K      Dominant Wave.:486.0nm      Purity:7.1%  
 Flux RGB Ratio:R=13.5%,G=82.7%,B=3.7%      Peak Wave:448.6nm      Half Width:25.3nm

**Rendering Index:Ra= 81.9**

R1 =81 R2 =85 R3 =87 R4 =83 R5 =82 R6 =80 R7 =87 R8 =69  
 R9 =4 R10=64 R11=83 R12=59 R13=82 R14=93 R15=77

**Photo Parameters**

Flux:8.070lm      Effi.:129.4lm/W      Radiant:25.0mW      Iv:0.0mcd  
 Efficiency:0.021      Effi Level:A++ (EU 874-2012)

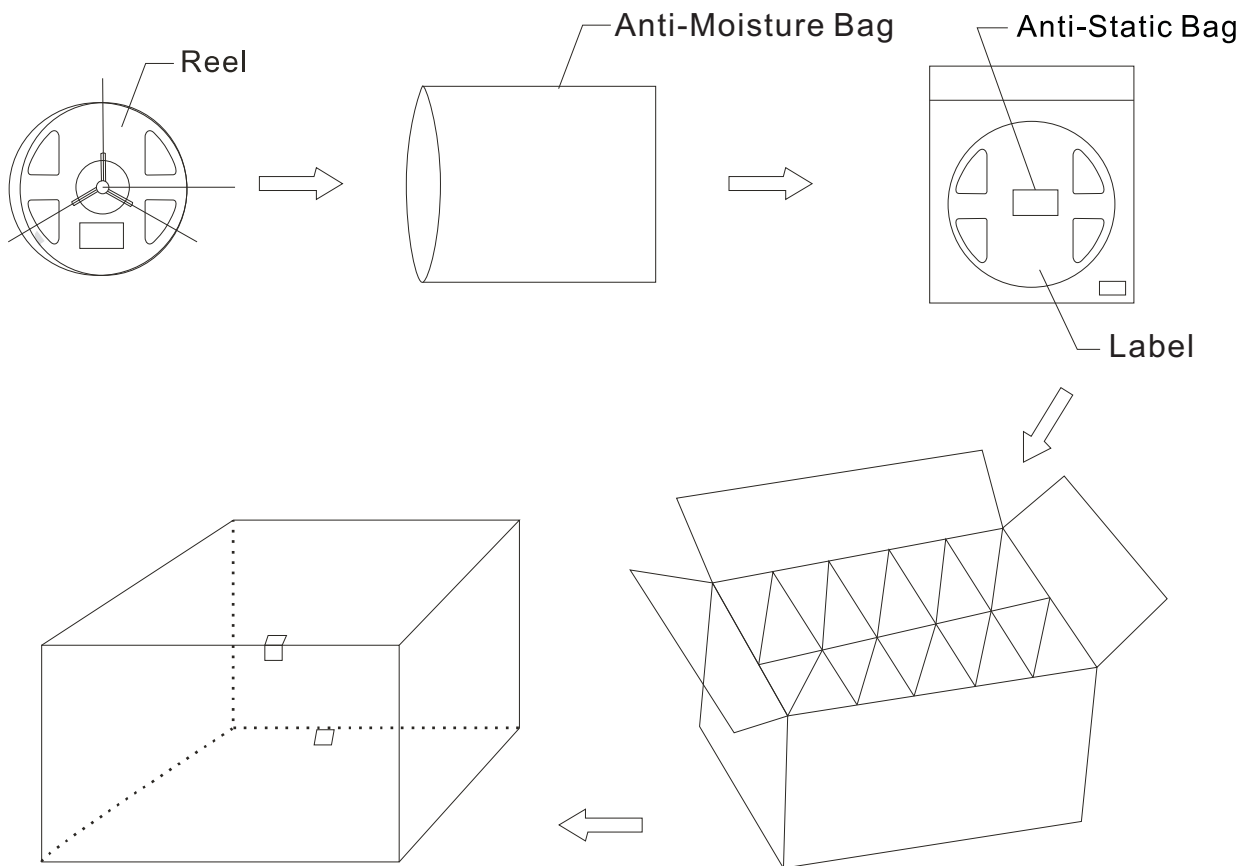
**Ele. Parameters**

Forward Current:If=20.0mA      Forward Voltage:Vf=3.12V  
 Reverse Voltage:Vr=5.00V      Reverse Current:Ir=0.00uA

## LED Strip Specification

Product Model	Product Description	IP Rating	Color	Color temperature /wavelength	CRI	Lumen/LED
LC-3528X120 XM8W-12V	SMD3528, 120LED/M, DC12V/24V, 9.6W/M,	IP20	WW	WW:2800-3200K	>80	7-8LM
			NW	NW:4000-4500K	>90	6-7LM
		IP65	W	W:6000-6500K	>95	5-6LM
LC-3528X120 XM8W-24V	10MM White PCB, 5M/Roll	IP67	R	620-630nm	/	1.5-2.0LM
			G	520-530nm		4-5LM
		IP68	B	460-470nm		1.4-2LM

## Packing



**Connection Diagram**

