

Product Specification

2835 LED Strip

LC-2835X60XM8W-12V
LC-2835X60XM8W-24V

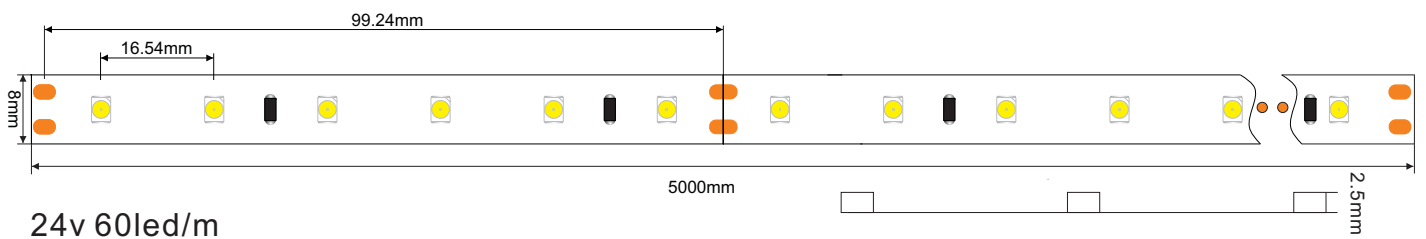
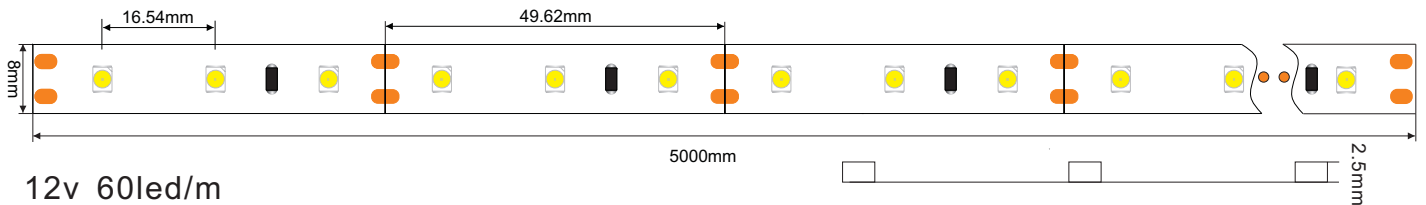
Making	Date	Version
LED Color	2018.4.8	V1.1



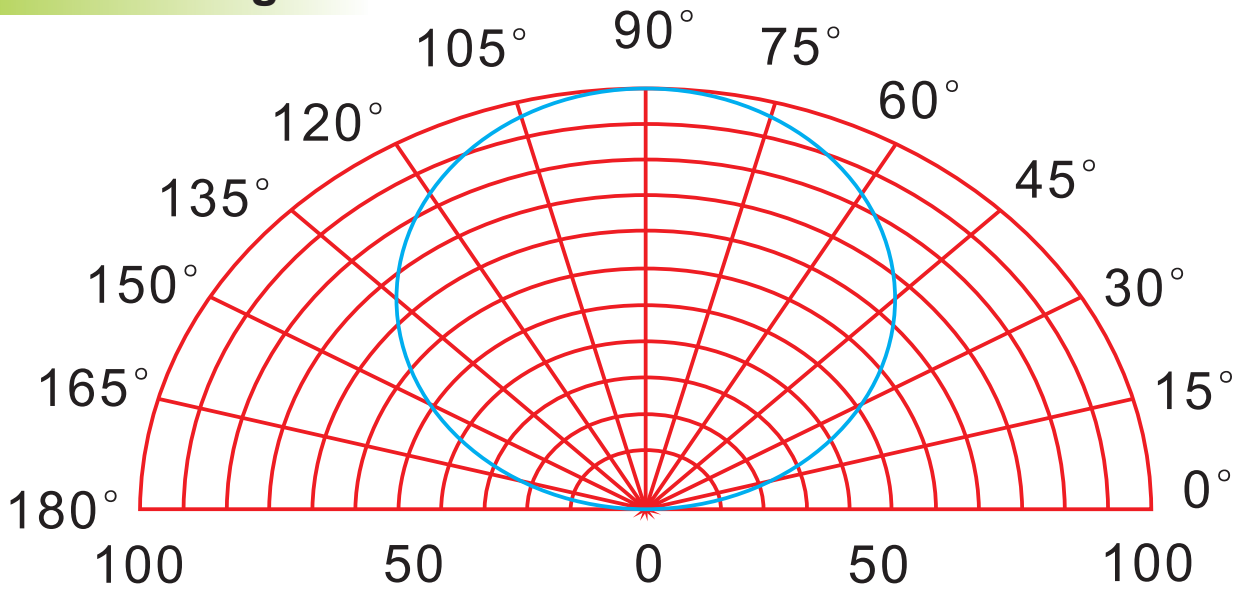
LED Strip dimension



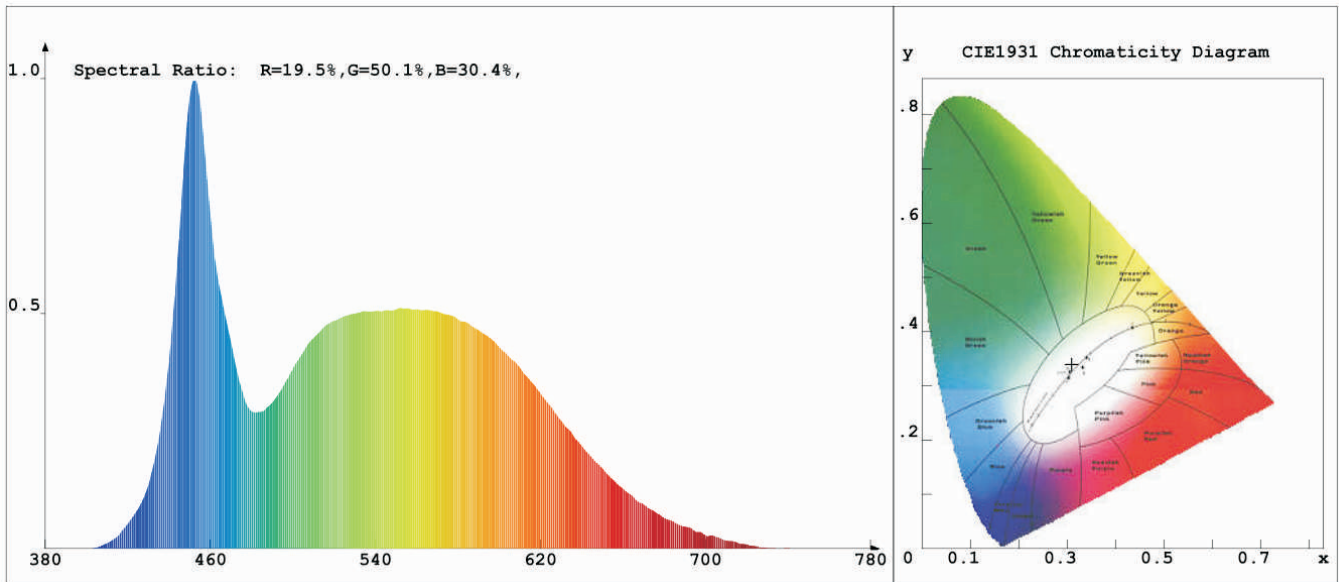
LED Strip dimension



Radiation diagram



2835 White LED Test Report



Chroma Parameters

Chro.Coor.:x=0.3097 y=0.3395 u=0.1919 v=0.3156 duv=0.0099
 CCT: 6583K Dominant Wave.:495.1nm Purity:7.6%
 Flux RGB Ratio:R=12.4%,G=83.5%,B=4.1% Peak Wave:452.8nm Half Width:25.1nm

Rendering Index:Ra= 80.7

R1 =77 R2 =86 R3 =93 R4 =78 R5 =79 R6 =83 R7 =87 R8 =63
 R9 =-13 R10=69 R11=77 R12=56 R13=79 R14=96 R15=70

Photo Parameters

Flux:24.76lm Effi.:131.8lm/W Radiant:75.4mW Iv:0.0mcd
 Efficiency:0.034 Effi Level:A++ (EU 874-2012)

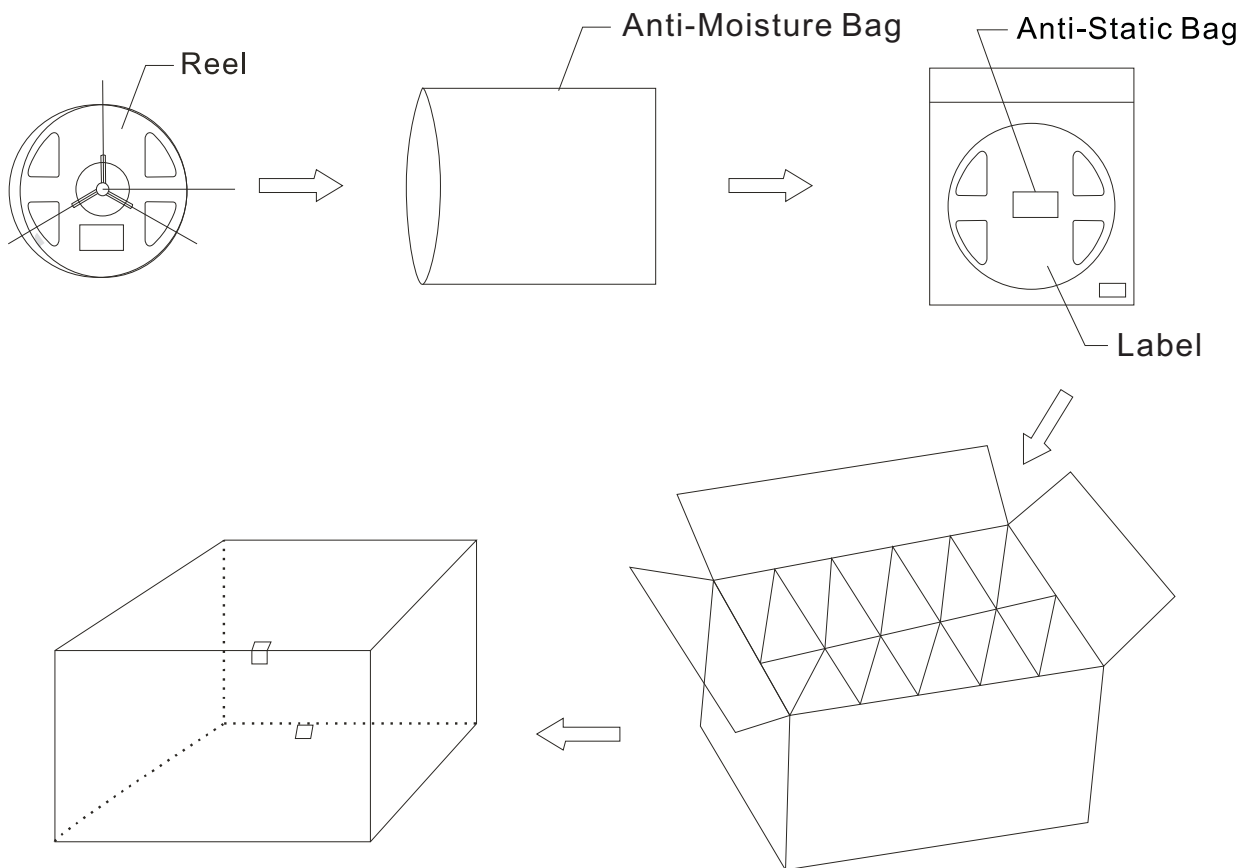
Ele. Parameters

Forward Current:If=60.0mA Forward Voltage:Vf=3.13V
 Reverse Voltage:Vr=5.00V Reverse Current:Ir=0.00uA

LED Strip Specification

Product Model	Product Description	IP Rating	Color	Color temperature /wavelength	CRI	Lumen/LED
LC-2835X60 XM8W-12V	SMD2835, 60LED/M, DC12V/24V, 13W/M, 8MM White PCB, 5M/Roll	IP20	WW	WW:2800-3200K	>80	22-24LM
			NW	NW:4000-4500K	>90	20-22LM
		IP65	W	W:6000-6500K	>95	18-20LM
					>97	17-19LM
LC-2835X60 XM8W-24V		IP67	ICQ Blue	30000-100000	/	14-16LM
			Golden	1800-2000K	/	18-20LM
		IP68	Pink	2000-2200K	/	20-22LM

Packing



Connection Diagram

